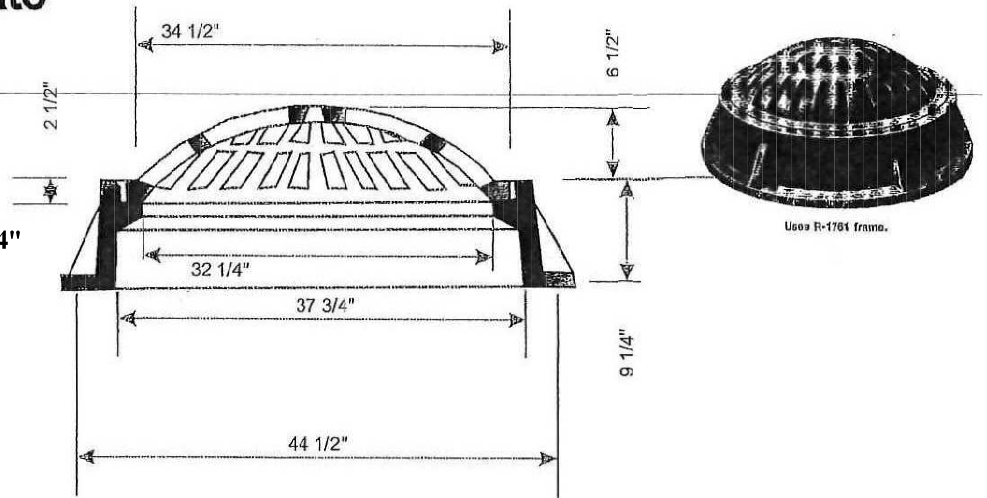


# R-2564 Beehive Grate and Frame

DESIGNED TO FIT IN BELL OF 24" SEWER PIPE.  
TOTAL WEIGHT 275 POUNDS



Casting Shall Be Neenah R-2564 or Reviewed Equivalent on Inlets Located At Curbs

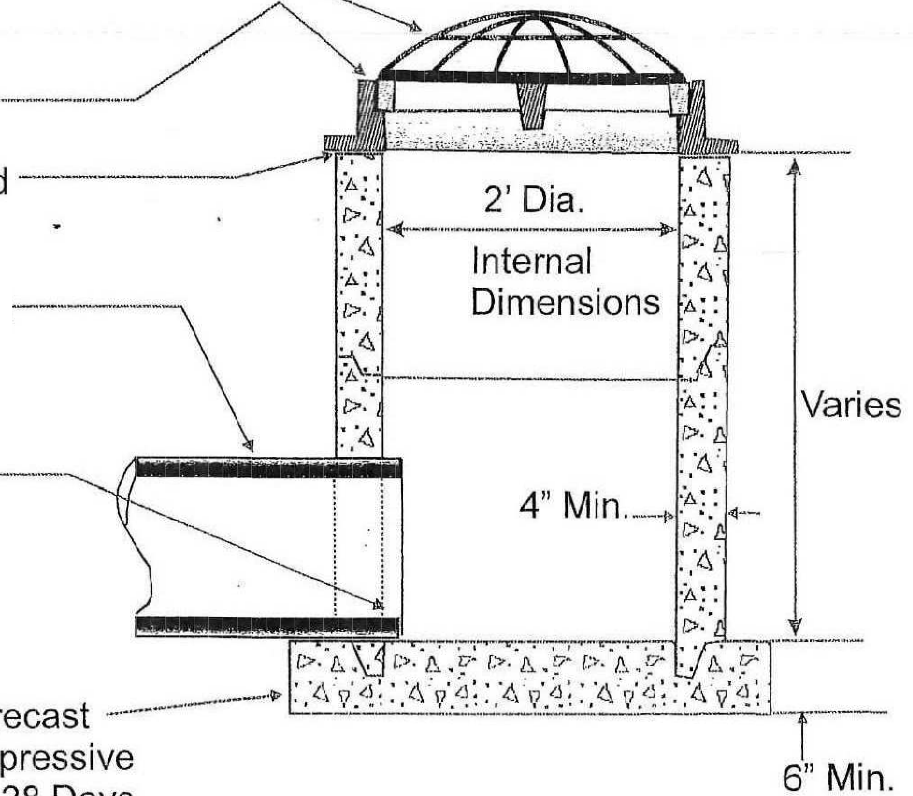
Rim Elevation

Bituminous Mastic Bed

OUTLET PIPE

Invert Elevation

Poured-In-Place or Precast Concrete Base. Compressive Strength 3500 PSI At 28 Days



## YARD INLET DETAIL

FRANKLIN  
ENGINEERING DEPT.

FIGURE 33