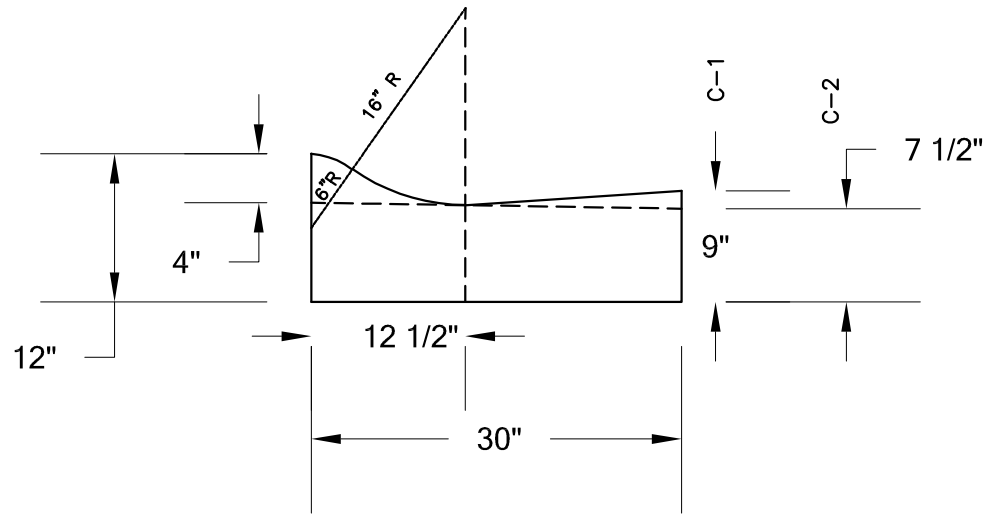
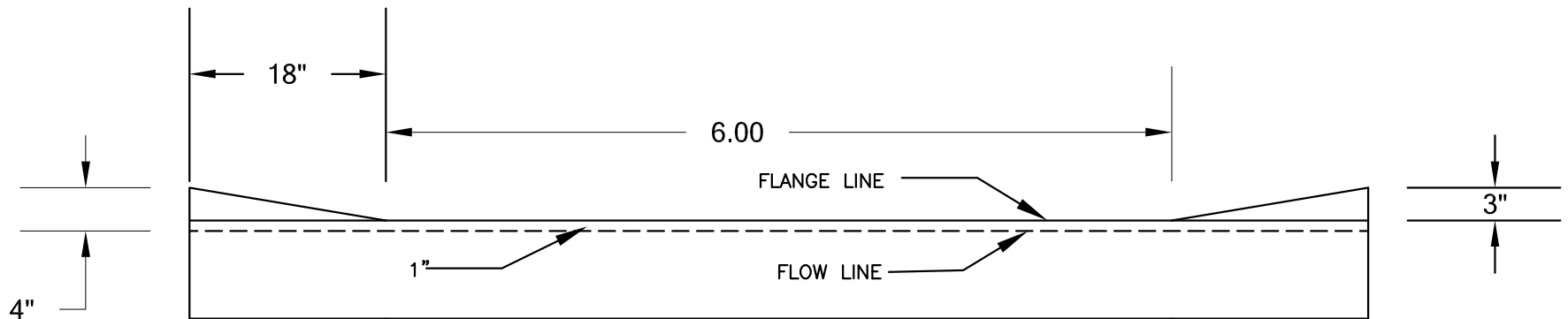
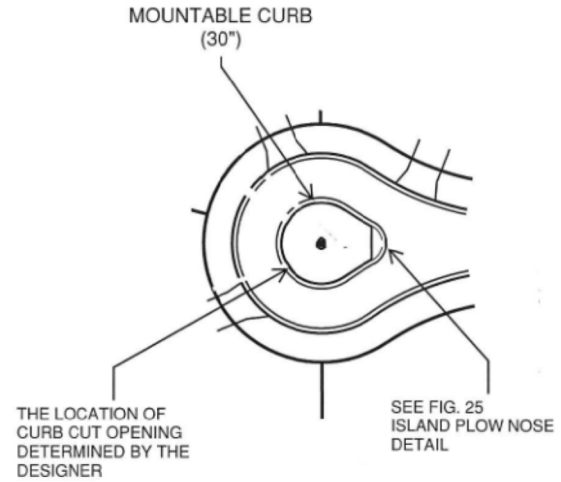


FIGURE 7A



CURB & GUTTER TYPE SCHEDULE	
TYPE C-1	SEPARATE CURB & GUTTER-LOW SIDE
TYPE C-2	SEPARATE CURB & GUTTER-HIGH SIDE



**CURB CUT OPENING  
DETAIL IN ISLAND**

**FIGURE 7A**

FRANKLIN  
ENGINEERING DEPT 10/2020 RA