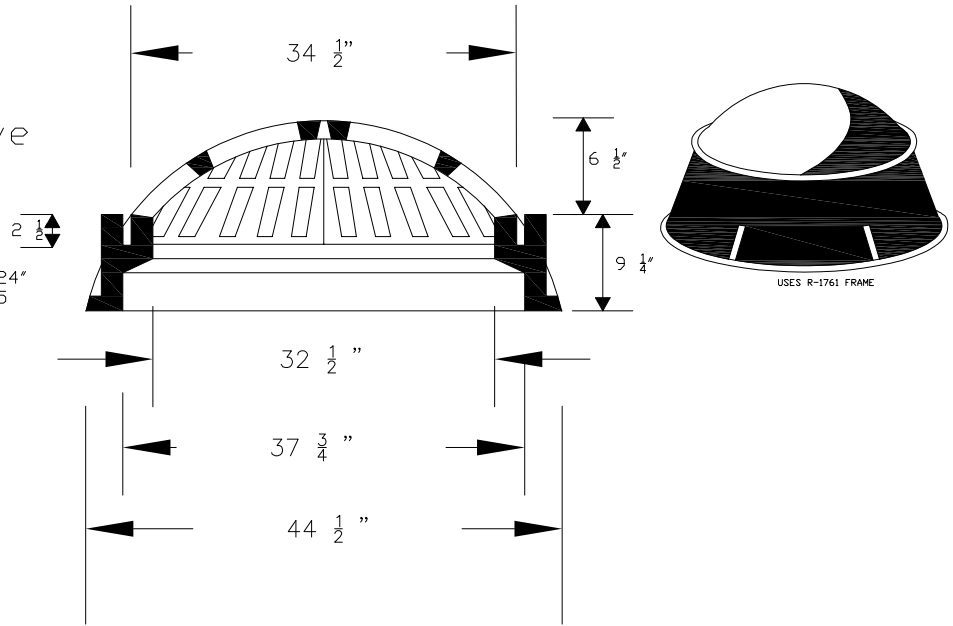


R-2564 Beehive Grate and Frame

DESIGNED TO FIT IN BELL OF 24" SEWER PIPE TOTAL WEIGHT 275 POUNDS



CASTING SHALL BE NEENAH R-2564 OR REVIEWED EQUIVALENT ON INLETS LOCATED AT CURBS

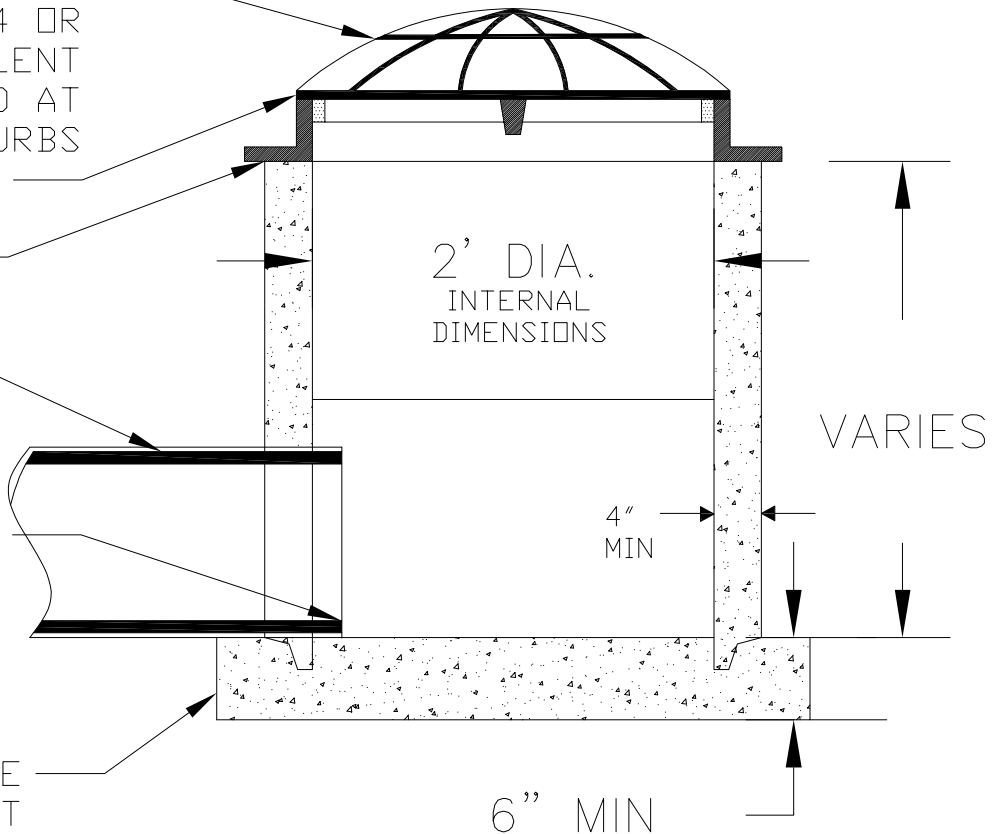
RIM ELEVATION

BITUMINOUS MASTIC BED

OUTLET PIPE

INVERT ELEVATION

POURED-IN-PLACE OR PRECAST CONCRETE BASE. COMPRESSIVE STRENGTH 3500 PSI AT 28 DAYS



YARD INLET DETAIL

FRANKLIN ENGINEERING DEPT

FIGURE 33