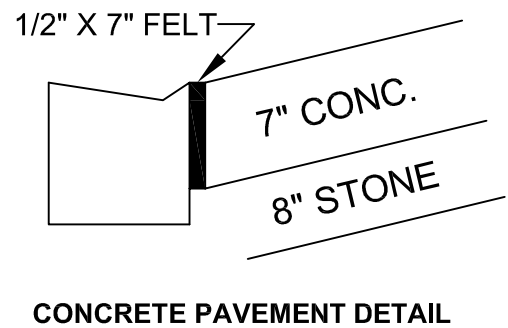
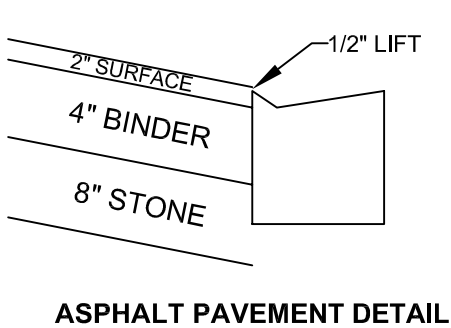
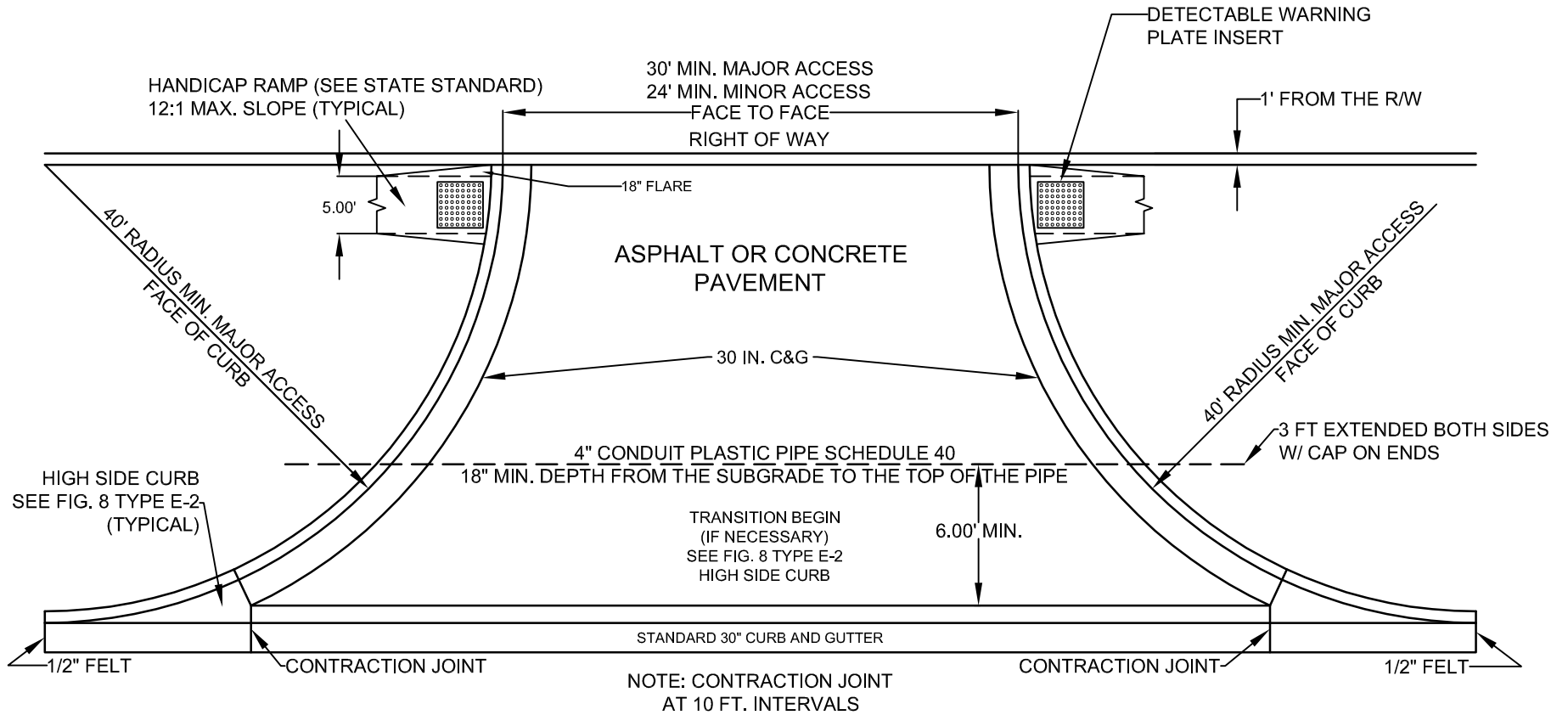


FIGURE 15



INDUSTRIAL & COMMERCIAL DRIVE APPROACH

FIGURE 15

Franklin Engineering Dept.RA

Not To Scale